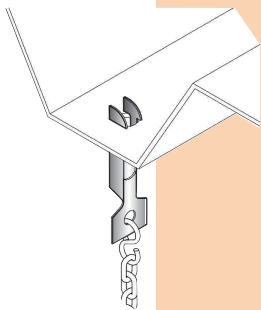


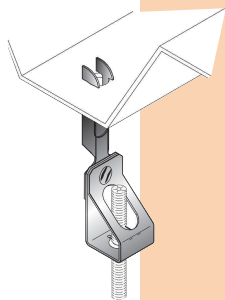


Elementos de fijación rápida  
Elements de fixation rapide

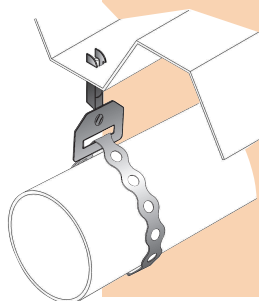
Quick attachment devices  
Schnellen befestigungselemente



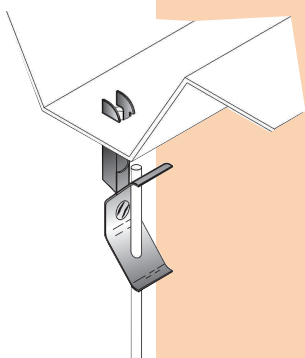
B mm.	∅ D	Kg. <sup>(1)</sup>		Cód.	Ref.	€/100
<b>Acabado / Finition / Finishing / Endverarbeitung: SINARD</b>						
0'8 - 3	7 - 8	-	100	1001368050	RD DT (150 DT)	<b>23,40</b>



B mm.	∅ D	M	Kg. <sup>(1)</sup>		Cód.	Ref.	€/100
<b>Acabado / Finition / Finishing / Endverarbeitung: SINARD</b>							
0'8 - 3	7 - 8	M6	-	100	1001368150	RD-ICA6 DT (150-210 DT)	<b>71,90</b>
0'8 - 3	7 - 8	M8	-	100	1001368250	RD-ICA8 DT (150-211 DT)	<b>71,90</b>
0'8 - 3	7 - 8	M10	-	100	1001368350	RD-ICA10 DT (150-212 DT)	<b>71,90</b>

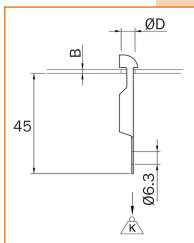


B mm.	∅ D	C x D	Kg. <sup>(1)</sup>		Cód.	Ref.	€/100
<b>Acabado / Finition / Finishing / Endverarbeitung: SINARD</b>							
0'8 - 3	7 - 8	28 x 6'5	-	100	1001368450	RD-SH DT (150-230 DT)	<b>43,50</b>



B mm.	∅ D	∅ varilla / rod	Kg. <sup>(1)</sup>		Cód.	Ref.	€/100
<b>Acabado / Finition / Finishing / Endverarbeitung: SINARD</b>							
0'8 - 3	7 - 8	4	-	100	1001368550	RD-TR4 DT (150-220 DT)	<b>53,50</b>
0'8 - 3	7 - 8	6	-	100	1001368650	RD-TR6 DT (150-221 DT)	<b>53,50</b>

(1) Cargas según el espesor de la base de anclaje.  
(1) Loads according to the thickness of the sheet.



**MONTAJE - MONTAGE -  
INSTALLATION - MONTAGE:**

