



# Elementos de fijación rápida

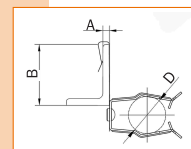
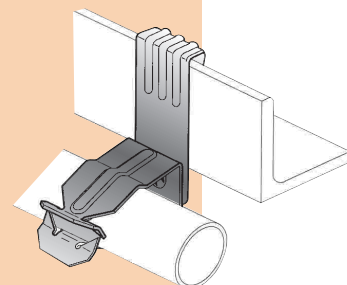
## Elements de fixation rapide

# Quick attachment devices

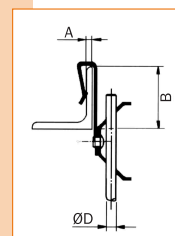
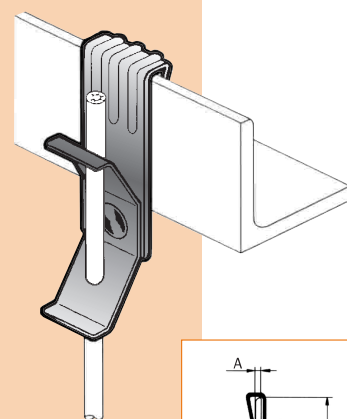
## Schnellen befestigungselemente



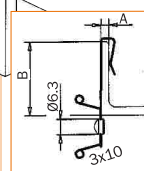
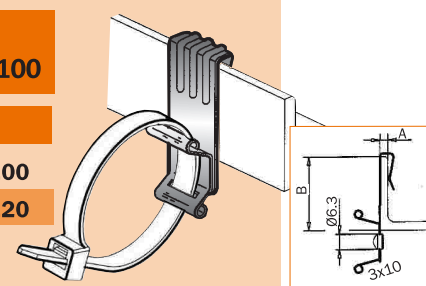
A mm.	B mm.	∅ mm.	Kg.		Cód.	Ref.	€/100
<b>Acabado / Finition / Finishing / Endverarbeitung: SINARD</b>							
1,5 - 5	30	18 - 22	7	100	1001356450	PHV5-IC22 DT (110-280 DT)	<b>78,20</b>
1,5 - 5	30	22 - 30	7	100	1001356550	PHV5-IC30 DT (110-281 DT)	<b>82,30</b>
1,5 - 5	30	30 - 35	7	100	1001356650	PHV5-IC35 DT (110-282 DT)	<b>86,80</b>
5 - 7	30	18 - 22	7	100	1001356750	PHV7-IC22 DT (111-280 DT)	<b>78,20</b>
5 - 7	30	22 - 30	7	100	1001356850	PHV7-IC30 DT (111-281 DT)	<b>82,30</b>
5 - 7	30	30 - 35	7	100	1001356950	PHV7-IC35 DT (111-282 DT)	<b>86,80</b>
4 - 10	60	18 - 22	7	100	1001357350	PHV10-IC22 DT (113-280 DT)	<b>118,50</b>
4 - 10	60	22 - 30	7	100	1001357450	PHV10-IC30 DT (113-281 DT)	<b>122,40</b>
4 - 10	60	30 - 35	7	100	1001357550	PHV10-IC35 DT (113-282 DT)	<b>127,20</b>



A mm.	B mm.	∅D mm.	Kg.		Negro / Noire / Black / Schwarze		€/100
					Cód.	Ref.	
1,5 - 5	30	4	60	100	10013112	PHV5-TR4 (110-220)	<b>54,20</b>
1,5 - 5	30	6	60	100	10013113	PHV5-TR6 (110-221)	<b>54,20</b>
5 - 7	30	4	60	100	10013126	PHV7-TR4 (111-220)	<b>54,20</b>
5 - 7	30	6	60	100	10013127	PHV7-TR6 (111-221)	<b>54,20</b>
4 - 10	60	4	60	100	10013154	PHV10-TR4 (113-220)	<b>82,30</b>
4 - 10	60	6	60	100	10013155	PHV10-TR6 (113-221)	<b>82,30</b>
<b>Acabado / Finition / Finishing / Endverarbeitung: SINARD</b>							
1,5 - 5	30	4	60	100	1001311250	PHV5-TR4 DT (110-220 DT)	<b>70,50</b>
1,5 - 5	30	6	60	100	1001311350	PHV5-TR6 DT (110-221 DT)	<b>70,50</b>
5 - 7	30	4	60	100	1001312650	PHV7-TR4 DT (111-220 DT)	<b>70,50</b>
5 - 7	30	6	60	100	1001312750	PHV7-TR6 DT (111-221 DT)	<b>70,50</b>
4 - 10	60	4	60	100	1001315450	PHV10-TR4 DT (113-220 DT)	<b>107,00</b>
4 - 10	60	6	60	100	1001315550	PHV10-TR6 DT (113-221 DT)	<b>107,00</b>



A mm.	B mm.	Kg.		Cód.	Ref.	€/100
<b>Acabado / Finition / Finishing / Endverarbeitung: SINARD</b>						
1,5 - 5	30	15	100	1001317550	PHV5- BR DT (110-250 DT)	<b>56,00</b>
5 - 7	30	15	100	1001317650	PHV7- BR DT (111-250 DT)	<b>70,20</b>



A mm.	B mm.	CxD	Kg.		Negro / Noire / Black / Schwarze		€/100
					Cód.	Ref.	
1,5 - 5	30	28 x 6,5	45	100	10013114	PHV5-SH (110-230)	<b>44,00</b>
5 - 7	30	28 x 6,5	45	100	10013128	PHV7-SH (111-230)	<b>44,00</b>
4 - 10	60	28 x 6,5	45	100	10013156	PHV10-SH (113-230)	<b>73,90</b>
<b>Acabado / Finition / Finishing / Endverarbeitung: SINARD</b>							
1,5 - 5	30	28 x 6,5	45	100	1001311450	PHV5-SH DT (110-230 DT)	<b>57,20</b>
5 - 7	30	28 x 6,5	45	100	1001312850	PHV7-SH DT (111-230 DT)	<b>57,20</b>
4 - 10	60	28 x 6,5	45	100	1001315650	PHV10-SH DT (113-230 DT)	<b>93,50</b>

