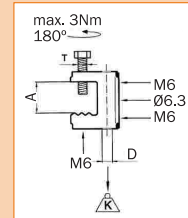
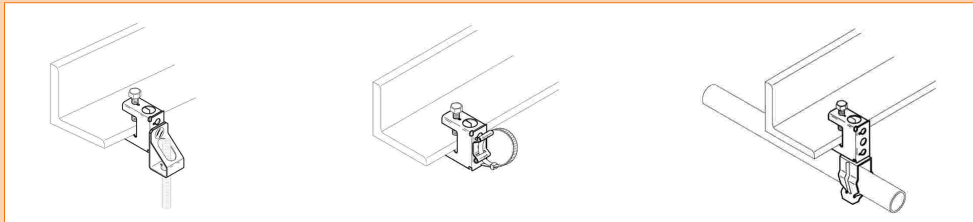
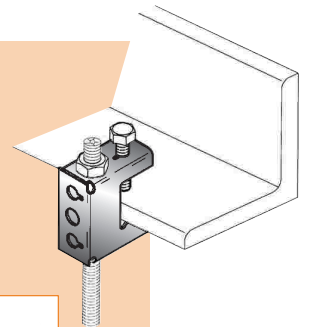




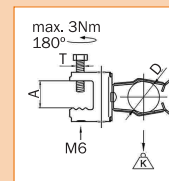
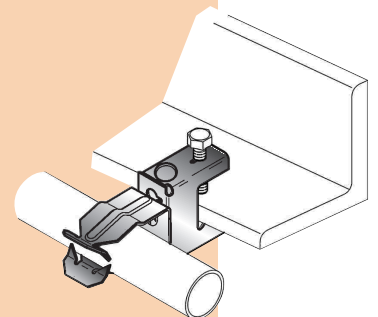
MORDAZAS - CRAMPONS - BEAM CLAMP - TRÄGERKLAMMER

- Elija la mordaza más adecuada a sus necesidades de instalación:
- Choisissez la crampon le plus adéquat à vos besoins d'installation:
- Choose the best clamp for your installation requirements:
- Wählen Sie die Trägerklammer, die sich am Besten an Ihren Installationsbedarf anpassen:

| D | T | A mm. | Kg. | | Cód. | Ref. | €/100 |
|---|----|----------|-----|-----|------------|---------------------|---------------|
| Acabado / Finition / Finishing / Endverarbeitung: SINARD | | | | | | | |
| 10'7 | M6 | <16 | 45 | 100 | 1001365050 | SB17 11 DT (130 DT) | 109,90 |



| T | A mm | ∅D mm. | Kg. | | Cód. | Ref. | €/100 |
|---|---------|-----------|-----|-----|------------|-------------------------------|---------------|
| Acabado / Finition / Finishing / Endverarbeitung: SINARD | | | | | | | |
| M6 | <16 | 18 - 22 | 7 | 100 | 1001357950 | SB17-IC22 H DT (131-280 H DT) | 138,00 |
| M6 | <16 | 22 - 30 | 7 | 100 | 1001358050 | SB17-IC30 H DT (131-281 H DT) | 141,60 |
| M6 | <16 | 30 - 35 | 7 | 100 | 1001358150 | SB17-IC35 H DT (131-282 H DT) | 145,90 |



| T | A mm | ∅D mm. | Kg. | | Cód. | Ref. | €/100 |
|---|---------|-----------|-----|-----|------------|-------------------------------|---------------|
| Acabado / Finition / Finishing / Endverarbeitung: SINARD | | | | | | | |
| M6 | <16 | 18 - 22 | 7 | 100 | 1001358250 | SB17-IC22 V DT (131-280 V DT) | 138,00 |
| M6 | <16 | 22 - 30 | 7 | 100 | 1001358350 | SB17-IC30 V DT (131-281 V DT) | 141,60 |
| M6 | <16 | 30 - 35 | 7 | 100 | 1001358450 | SB17-IC35 V DT (131-282 V DT) | 145,90 |

