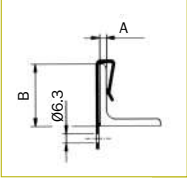
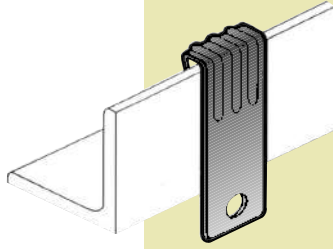




Elementos de fijación rápida
Elements de fixation rapide

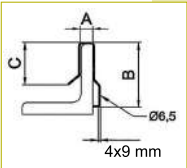
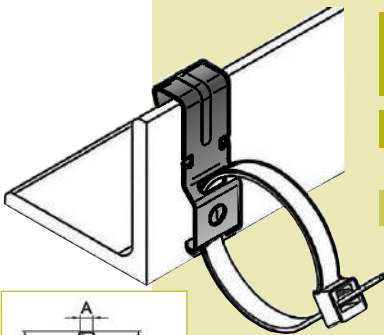
Quick attachment devices
Schnellen befestigungselemente



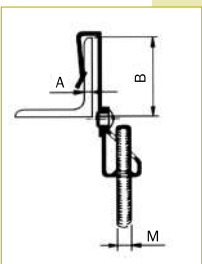
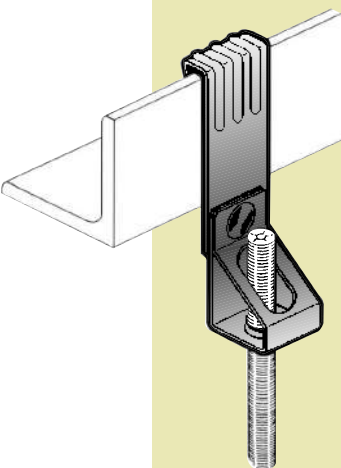
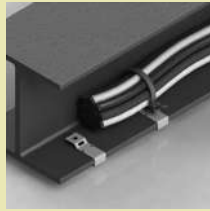
A mm.	B mm.	Kg.		Negro / Noire / Black / Schwarze Cód.	Ref.	€/100
1,5 - 5	30	70	100	10013011	PHV5 (110)	29,00
5 - 7	30	70	100	10013012	PHV7 (111)	29,00
4 - 10	60	70	100	10013014	PHV10 (113)	64,10

Acabado / Finition / Finishing / Endverarbeitung: **SINARD**

1,5 - 5	30	70	100	1001301150	PHV5 DT (110 DT)	37,70
5 - 7	30	70	100	1001301250	PHV7 DT (111 DT)	37,70
4 - 10	60	70	100	1001301450	PHV10 DT (113 DT)	83,50



A mm.	B mm.	C mm.		Cód.	Ref.	€/100
Acabado / Finition / Finishing / Endverarbeitung: SINARD						
3 - 10	52	35	100	1001301550	PCM10 DT	46,40
10 - 18	52	35	100	1001301650	PCM18 DT	46,40



A mm.	B mm.	M	Kg.		Negro / Noire / Black / Schwarze Cód.	Ref.	€/100
1,5 - 5	30	M6	70	100	10013109	PHV5-ICA6 (110-210)	87,50
1,5 - 5	30	M8	70	100	10013110	PHV5-ICA8 (110-211)	91,70
1,5 - 5	30	M10	70	100	10013111	PHV5-ICA10 (110-212)	91,70
5 - 7	30	M6	70	100	10013123	PHV7-ICA6 (111-210)	91,70
5 - 7	30	M8	70	100	10013124	PHV7-ICA8 (111-211)	91,70
5 - 7	30	M10	70	100	10013125	PHV7-ICA10 (111-212)	91,70
4 - 10	60	M6	70	100	10013151	PHV10-ICA6 (113-210)	124,60
4 - 10	60	M8	70	100	10013152	PHV10-ICA8 (113-211)	124,60
4 - 10	60	M10	70	100	10013153	PHV10-ICA10 (113-212)	124,60

Acabado / Finition / Finishing / Endverarbeitung: **SINARD**

1,5 - 5	30	M6	70	100	1001310950	PHV5-ICA6 DT (110-210 DT)	113,70
1,5 - 5	30	M8	70	100	1001311050	PHV5-ICA8 DT (110-211 DT)	119,10
1,5 - 5	30	M10	70	100	1001311150	PHV5-ICA10 DT (110-212 DT)	119,10
5 - 7	30	M6	70	100	1001312350	PHV7-ICA6 DT (111-210 DT)	119,10
5 - 7	30	M8	70	100	1001312450	PHV7-ICA8 DT (111-211 DT)	119,10
5 - 7	30	M10	70	100	1001312550	PHV7-ICA10 DT (111-212 DT)	119,10
4 - 10	60	M6	70	100	1001315150	PHV10-ICA6 DT (113-210 DT)	162,00
4 - 10	60	M8	70	100	1001315250	PHV10-ICA8 DT (113-211 DT)	162,00
4 - 10	60	M10	70	100	1001315350	PHV10-ICA10 DT (113-212 DT)	162,00